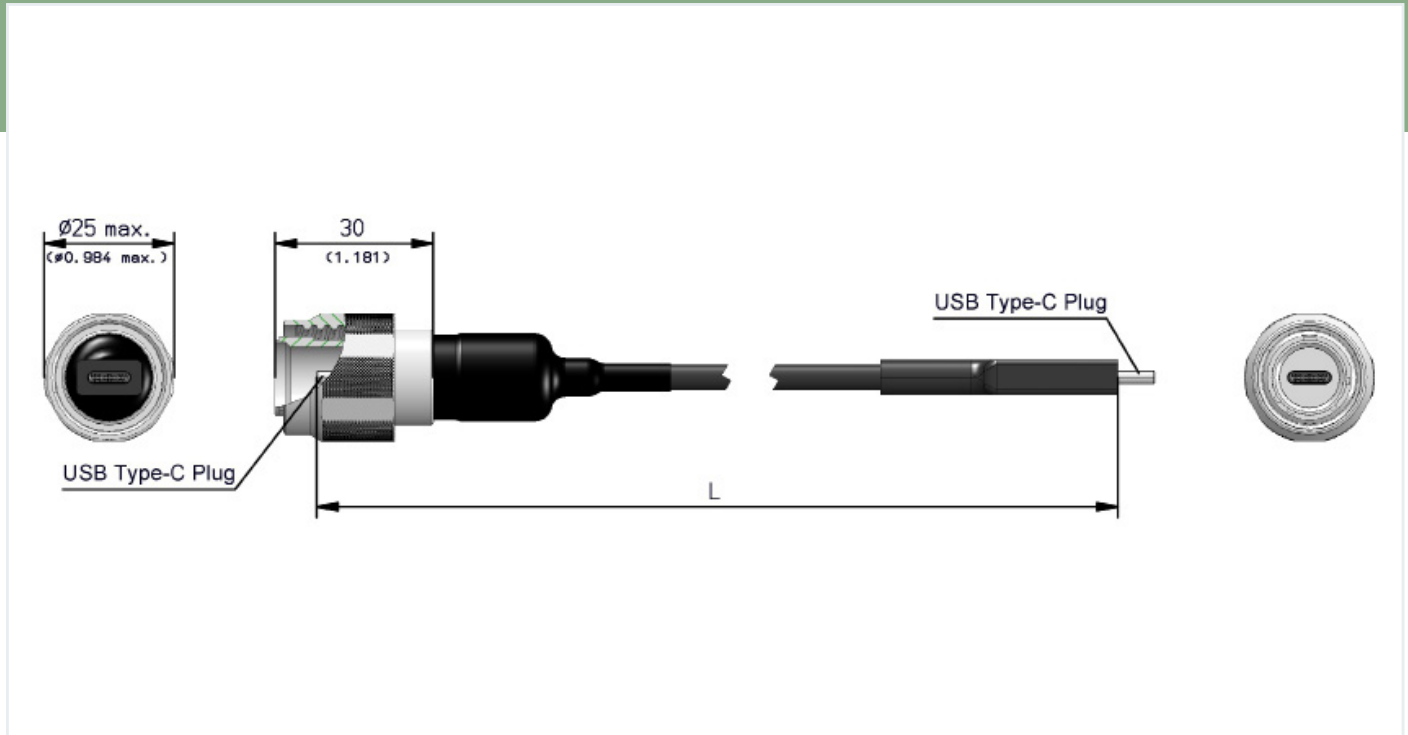


X2-SERIES – RUGGED USB CONNECTIONS

USB C – PLUG WITH CORDSET

X2-9874



INFORMATION

All dimensions in mm (inch) unless otherwise specified.

Shell derived from D38999

PN: X2-9874

Datasheet Version: 1.0

CATALOG:

Harsh Environment
Data Connectivity Solutions



Table A: Material & Plating

Material & Plating Code	Technical Design	ROHS-/REACH Compliant	Electrically Conductive	Salt Spray Resistance according to MIL spec.	Salt Spray Resistance according to VG spec.
V	Tin-Zinc grey Base material: Al-alloy Tin-Zinc over electroless Nickel	Yes	Yes	500 hrs	5 day cyclic
5	Electroless Nickel Base material: Al-alloy	Yes	Yes	48 hrs	n.a.
2	Zinc-Nickel black Coupling ring: Al-alloy, black anodized Shell: Zinc-Nickel black chromate over electroless Nickel	Yes	Yes	500 hrs	n.a.
6	Cadmium olive drab Coupling ring: Al-alloy, olive drab anodized Shell: Al-alloy Cadmium plated olive drab over electroless Nickel	No	Yes	500 hrs	5 day cyclic
9	Marine Bronze Base material: Marine Bronze CuAl10Ni5Fe4 (CW307G) Shotblast, nonreflective	Yes	Yes	n.a.	n.a.
1	Stainless Steel / passivated	Yes	Yes	n.a.	n.a.

Performance

Voltage Rating (V_BUS)	20 V
Current Rating (V_BUS)	5 A
Temperature	-20 °C to +85 °C
Mating cycles	>500
USB	USB 3.2 Gen 2
USB PD	With E-Mark

Materials

USB C	Nickel plated
Cable jacket	PVC
Cable type	UL 2725
Housing	See option material

For details about keyway polarization and USB C orientation see page 72-75 in the full „Harsh Environment Data Connectivity Solutions“ catalog.

Table B: Cable length

Length Code	Length L in mm	Tolerance in mm
1000	1000 (39,370)	+/- 30 (1.181)

How to order

Table X2-9874 11 5 N 0 1000

Basic part number	
Shell size	
Material & plating code	A
Keyway polarization	5
USB C orientation	10
Cable length	B

ORDER EXAMPLE

X2-9874-11-5 N 0-1000

USB C – PLUG WITH CORDSET

SIZE 11, ELECTROLESS NICKEL

KEYWAY = N (STANDARD)

USB C ORIENTATION = 0° (See drawing)

CABLE LENGTH 1000 MM

EMCA CONNECTOR SOLUTIONS GMBH

X2-9874 | Datasheet Version 1.0

SALES@EMCA-CONNECTOR.DE